



# ec-H2O NanoClean Module Plumbing Kit

Models equipped with ec-H2O NanoClean Technology



## INSTALLATION INSTRUCTIONS:

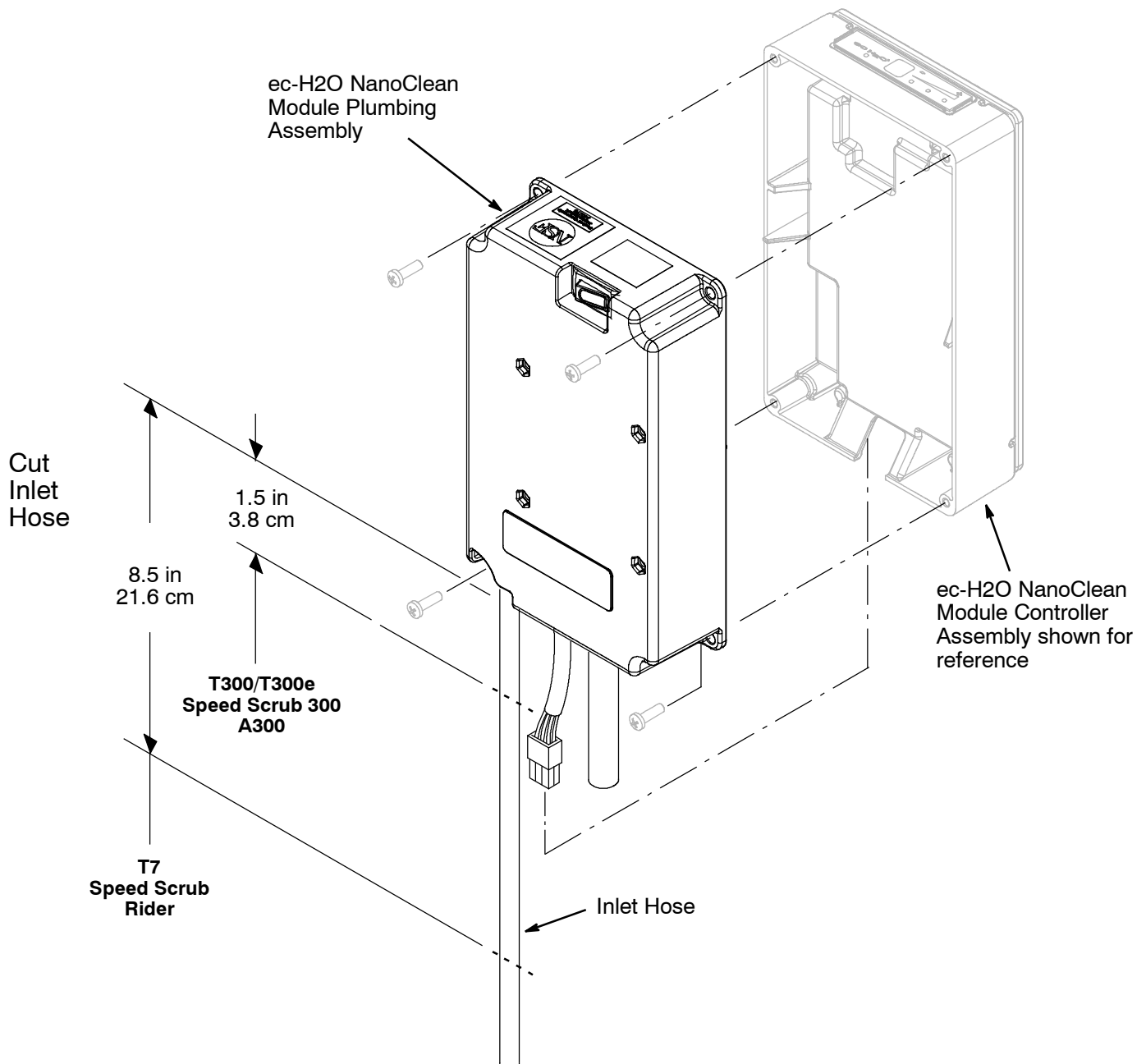
**Installation Time:** 1 Hour

**Kit Contents:** ec-H2O Module Plumbing Assembly

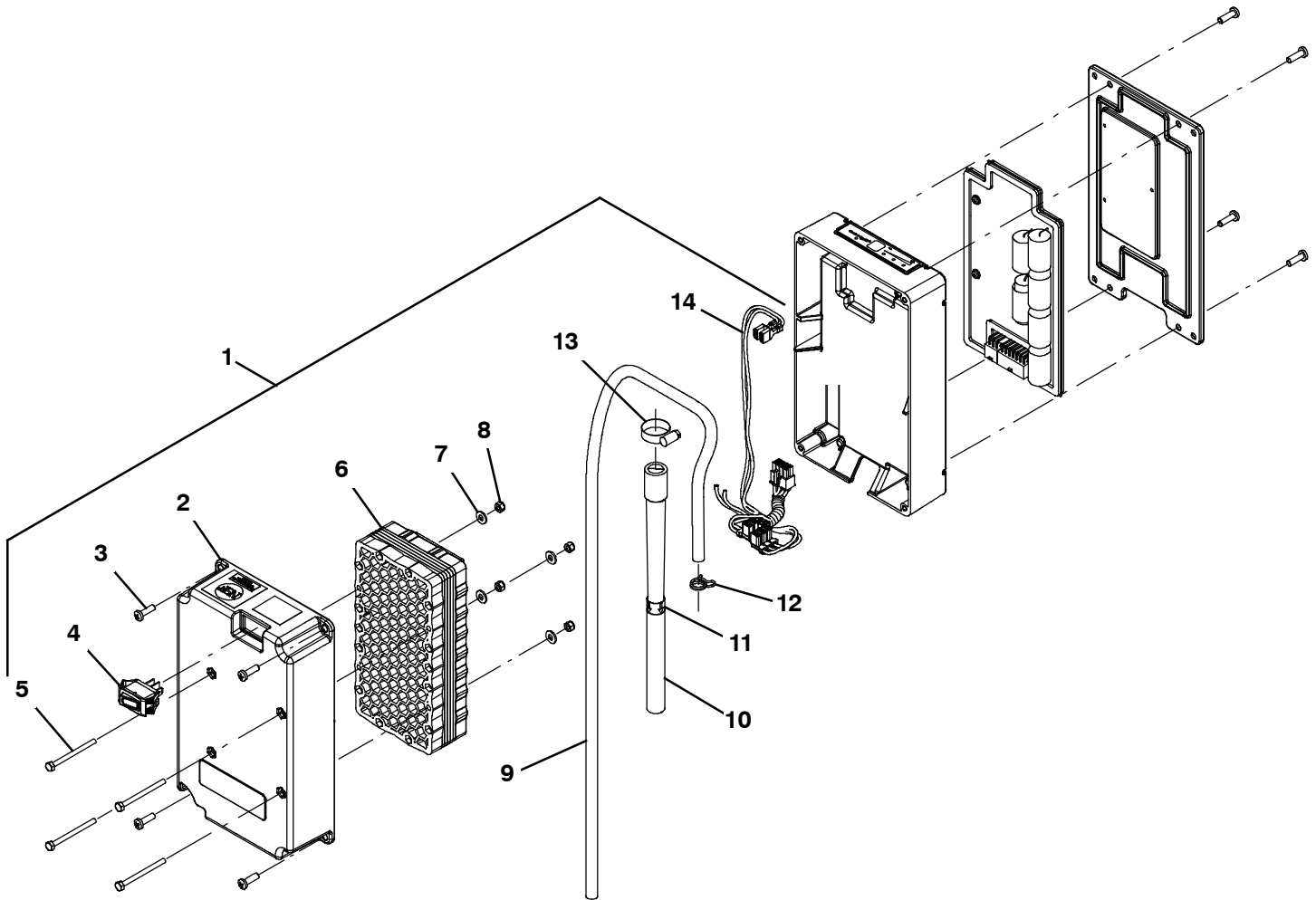
**Special Tools Required:** None

**FOR SAFETY: Before servicing machine, stop on level surface, turn off machine and set parking brake if equipped.**

1. Drain the solution and recovery tank.
2. Park the machine on a level surface, turn off machine and set parking brake if equipped.
3. Remove the ec-H2O NanoClean module (black box) from machine.
4. Replace the defective plumbing assembly as shown below. Four screws fasten the plumbing assembly to the controller assembly. Discard the defective plumbing assembly.
5. For specific machine models, cut the module inlet hose as described below.
6. Reinstall module. Make sure the hose connections are properly clamped.



**ec-H2O NanoClean Module Plumbing Kit Parts List**



| Ref. | Part No. | Description | Qty.                                      |   |
|------|----------|-------------|---|---|
| ▽    | 1        | 9014126     | ec- H2o Nc Kit [Module B, Plumbing]       | 1 |
| ▲    | 2        | 1208823     | Housing, Module, Upper, Ec- H2o           | 1 |
| ▲    | 3        | 1015506     | Screw, Pan, Phl, M5 X 16, Tcut [Plastic]  | 4 |
| ▲    | 4        | 1044393     | Switch, Rocker, Spst, Mom                 | 1 |
| ▲    | 5        | 32509       | Screw, Hex, M4 X 0.70 X 50, Ss            | 4 |
| ▲    | 6        | 1208164     | Electrode, 5 Plate, High Flow             | 1 |
| ▲    | 7        | 41579       | Washer, Flat, 08, Ss                      | 4 |
| ▲    | 8        | 33932       | Nut, Hex, Lock, M4 X 0.70, NI, Ss         | 4 |
| ▲    | 9        | 1006415     | Hose, Afmkt, Pvc, Clr, 0.25id, 03ft       | 1 |
| ▲    | 10       | 1208526     | Hose, Molded, Bm08/Bm06                   | 1 |
| ▲    | 11       | 1049637     | Label, Direction [Ec- H2o]                | 1 |
| ▲    | 12       | 613735      | Clamp, Hose, Wir, .40 - .42, Yel          | 1 |
| ▲    | 13       | 54333       | Clamp, Hose, Wormdrive, 0.31- 0.88d, .31w | 1 |
| ▲    | 14       | 1073286     | Harness, Ele, Module B2 [ec- H2o]         | 1 |

▽ KIT ASSEMBLY

▲ INCLUDED IN KIT ASSEMBLY